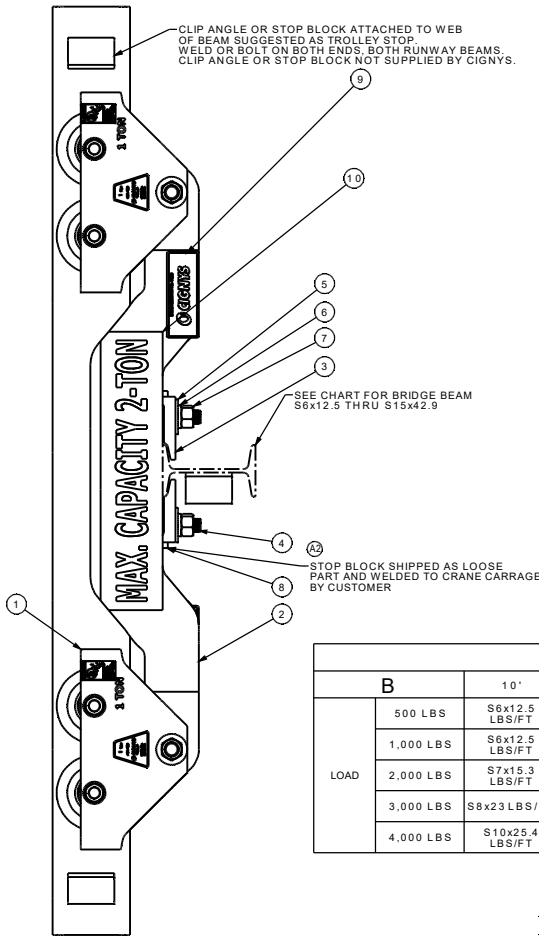
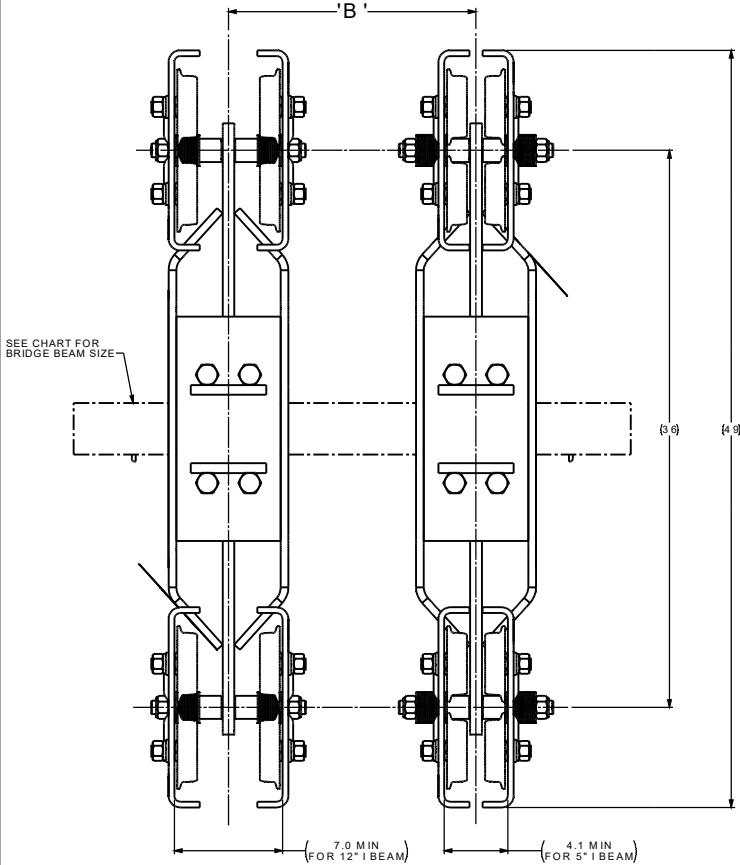
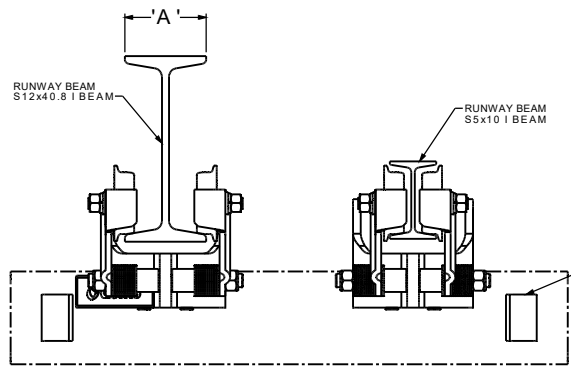


REVISIONS				
REV.	DESCRIPTION	DATE	BY	APP
A	ADDED 4 REQUIRED, 44216 STOP BAR; A2 ADDED NOTE (PART INCLUDED AS ADDED SAFETY PRECAUTION)	12/18/1985	GMS	GMS
B	SEE ECN-100785	12/19/2012	TPC	DDR
C	SEE ECN-101896	7/15/2015	RSW	DDR



RUNWAY I BEAM	A
S 5 x 10 LBS/FT	3"
S 12 x 40.8 LBS/FT	5 - 1/4"

		BRIDGE BEAM CHART									
		B	10'	12'-6"	13'	17'-6"	20'	22'-6"	25'	27'-6"	30'
LOAD	500 LBS	S6x12.5 LBS/FT	S6x12.5 LBS/FT	S6x12.5 LBS/FT	S6x12.5 LBS/FT	S6x12.5 LBS/FT	S6x12.5 LBS/FT	S6x12.5 LBS/FT	S7x15.3 LBS/FT	S7x15.3 LBS/FT	S7x20 LBS/FT
	1,000 LBS	S6x12.5 LBS/FT	S7x15.3 LBS/FT	S7x15.3 LBS/FT	S7x15.3 LBS/FT	S7x15.3 LBS/FT	S7x20 LBS/FT	S8x18.4 LBS/FT	S8x23 LBS/FT	S10x25.4 LBS/FT	S10x25.4 LBS/FT
	2,000 LBS	S7x15.3 LBS/FT	S8x18.4 LBS/FT	S8x23 LBS/FT	S10x25.4 LBS/FT	S10x25.4 LBS/FT	S10x35 LBS/FT	S12x31.8 LBS/FT	S12x31.8 LBS/FT	S12x35 LBS/FT	S12x35 LBS/FT
	3,000 LBS	S8x23 LBS/FT	S10x25.4 LBS/FT	S10x35 LBS/FT	S12x31.8 LBS/FT	S12x35 LBS/FT	S15x42.9 LBS/FT	S15x42.9 LBS/FT	S15x42.9 LBS/FT	S15x42.9 LBS/FT	S15x42.9 LBS/FT
	4,000 LBS	S10x25.4 LBS/FT	S10x35 LBS/FT	S12x31.8 LBS/FT	S15x42.9 LBS/FT	S15x42.9 LBS/FT	S15x42.9 LBS/FT	S15x42.9 LBS/FT	S15x42.9 LBS/FT	S15x42.9 LBS/FT	S15x42.9 LBS/FT



NOTES:  
 1. TO USE BRIDGE CRANE KIT WITH 1/2 TON (7927 AND 8086) CHAIN HOIST TROLLEYS, HANGER SHAFT 7927-1-A MUST BE USED IN PLACE OF 7927-1 SHAFT (4" TO 10" I BEAMS) FOR LIGHT LOADS.

10	44714	2	DECAL, MAX. CAPACITY 2-TON		
9	61664	2	2 TON BRIDGE CRANE DECAL		
8	44216	4	STOP BAR		
7	HFN7/8-9G5ZP	8	HEX FULL NUT	7/8-9 THD	GRADE 5, ZINC PLATED
6	SLW 7/8ZP	8	SPLIT LOCK WASHER	7/8" SIZE	ZINC PLATED
5	FW 7/8USSZP	8	FLAT WASHER, SAE	7/8" SIZE	ZINC PLATED
4	HB7/8-9X3G5ZP	8	HEX BOLT	7/8-9 X 3" LG	GRADE 5, ZINC PLATED
3	32104	4	CLAMP		
2	40601	2	UNDERHUNG CRANE		
1	42005	4	1 TON HOIST TROLLEY		

ITEM NO.	PART NUMBER	QTY	DESCRIPTION	MATERIAL OR NOTE	SPECIFICATION
MATERIAL: SEE LIST					
DRAWN BY: REICHARD		CHECKED BY: GMS		GEOMETRY CREATED IN SOLIDWORKS	
ENGINEERING APPROVAL:		DATE DRAWN: 2/19/1979		CUSTOMER:	
DIMENSIONS ARE IN INCHES UNLESS OTHERWISE SPECIFIED					
SURFACE FINISH: 125 ON MACHINED SURFACES UNLESS OTHERWISE SPECIFIED					
TOLERANCES UNLESS OTHERWISE SPECIFIED					
FRACTION	DECIMALS	ANGULAR	BREAK	THIRD ANGLE PROJECTION	
1/16	0.03	± 5°	SHARP EDGES		
CODE IDENT NO. 52793			SIZE D		
PART NUMBER / FILE NAME 42900			SCALE: 1:4		

THIS DRAWING IS THE PROPERTY OF CIGNYS. THE DRAWING IS NOT TO BE COPIED, REPRODUCED, REPRODUCED, USED, OR PUBLISHED IN ANY MANNER WITHOUT THE EXPRESS WRITTEN AUTHORIZATION OF CIGNYS.



**BRIDGE CRANE KIT, WELDED CARRIAGE MAX. CAPACITY 2 TON**